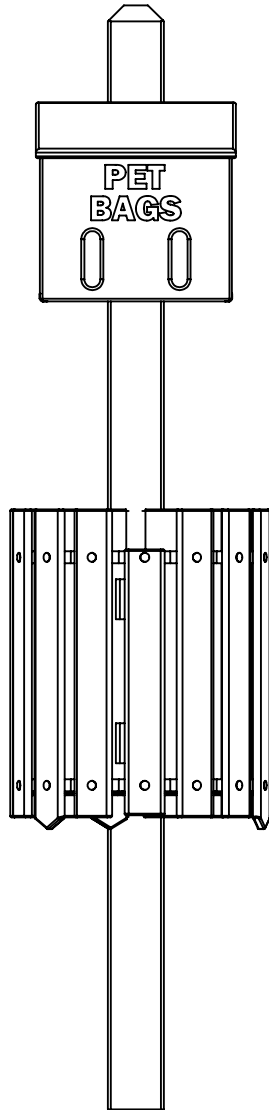


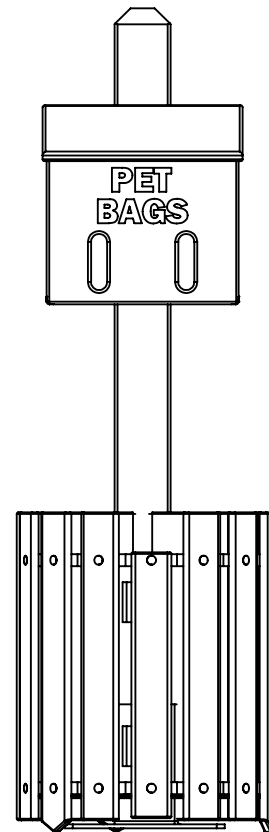
# INSTRUCTIONS

## PW1025 - PW1030

REV# 1

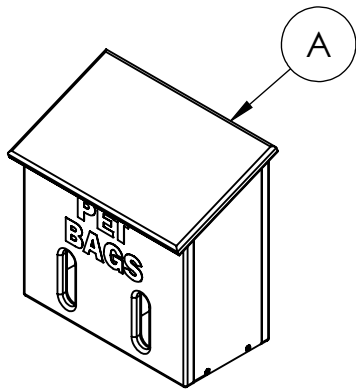


INGROUND MOUNT

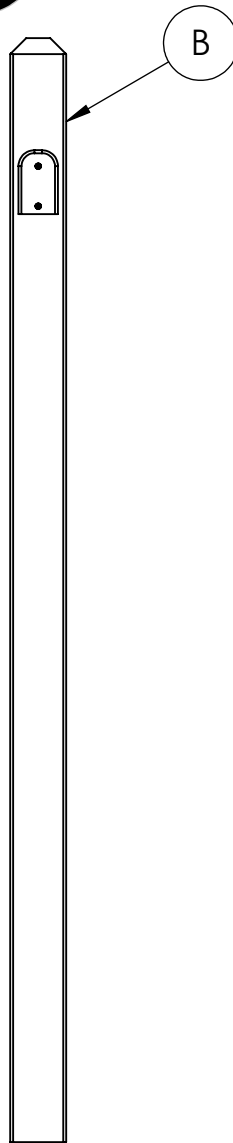


SURFACE MOUNT

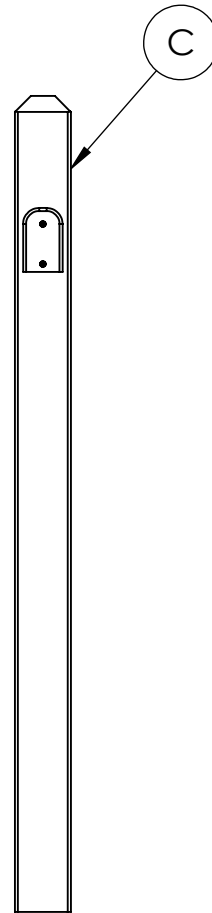
# INSTRUCTIONS PW1025 - PW1030



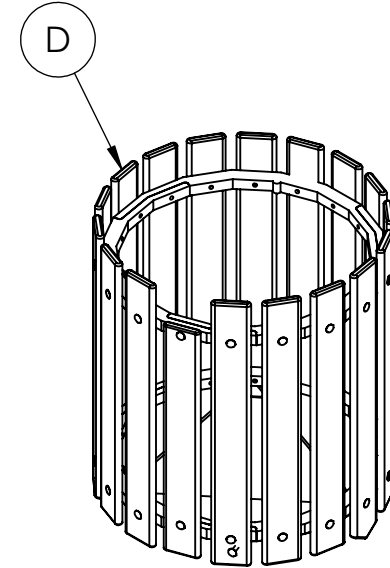
**1**  
Pet Bags Dispenser



**1**  
Inground Post



**1**  
Surface Mount Post



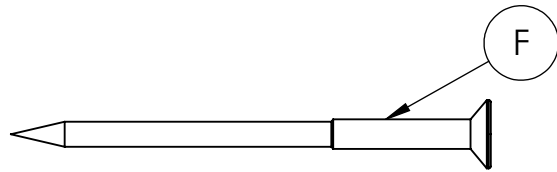
**1**  
Receptacle

## REQUIRED TOOLS (NOT INCLUDED)

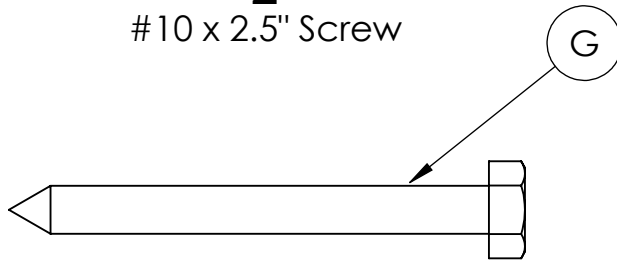
- 1 - 7/16" WRENCH
- 1 - #2 SQUARE BIT
- 1 - 1/4" DRILL BIT
- 1 - 1/8" DRILL BIT

**HARDWARE &  
TOOLS REQUIRED  
FOR ASSEMBLY**

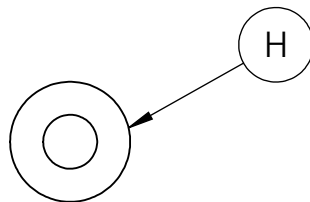
# INSTRUCTIONS PW1025 - PW1030



**2**  
#10 x 2.5" Screw

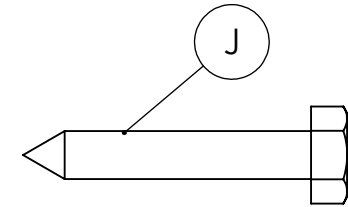


**2**  
1/4" x 1.5" Lag Screw

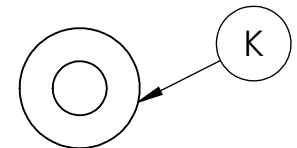


**2**  
1/4" Flat Washer

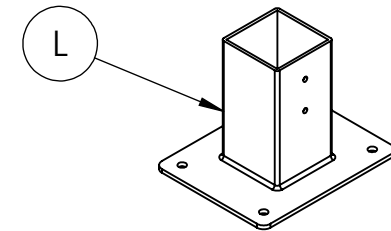
## SURFACE MOUNT HARDWARE



**2**  
1/4" x 1.5" Lag Screw



**2**  
1/4" Flat Washer



**1**  
Surface Mount Base

**HARDWARE &  
TOOLS REQUIRED  
FOR ASSEMBLY**

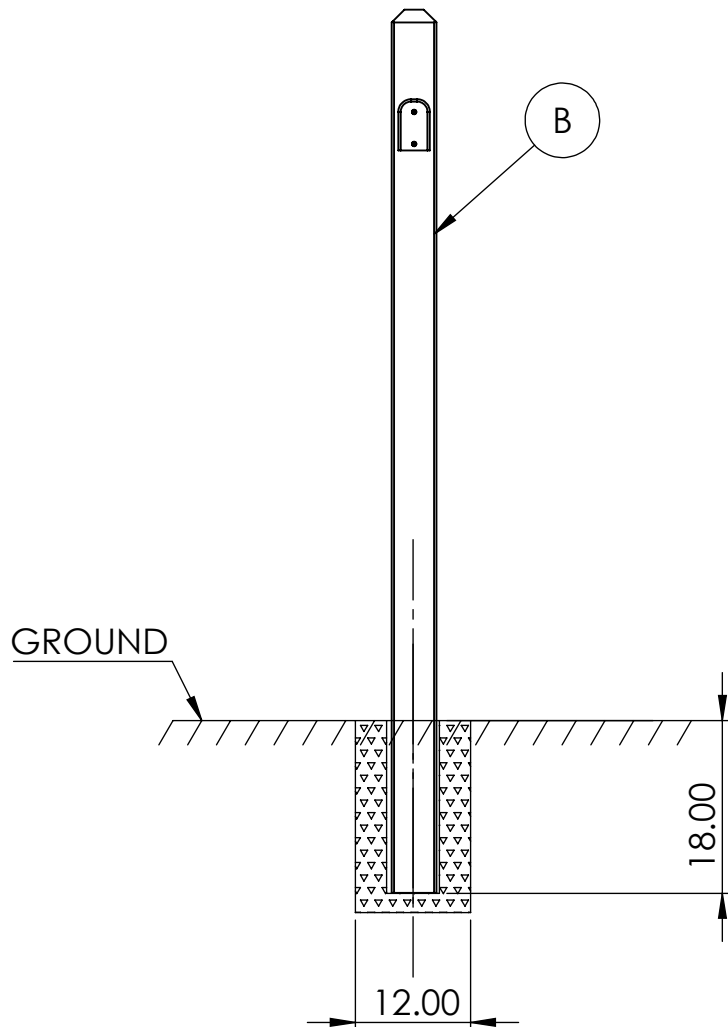
**3/6**

# INSTRUCTIONS

## PW1025 - PW1030

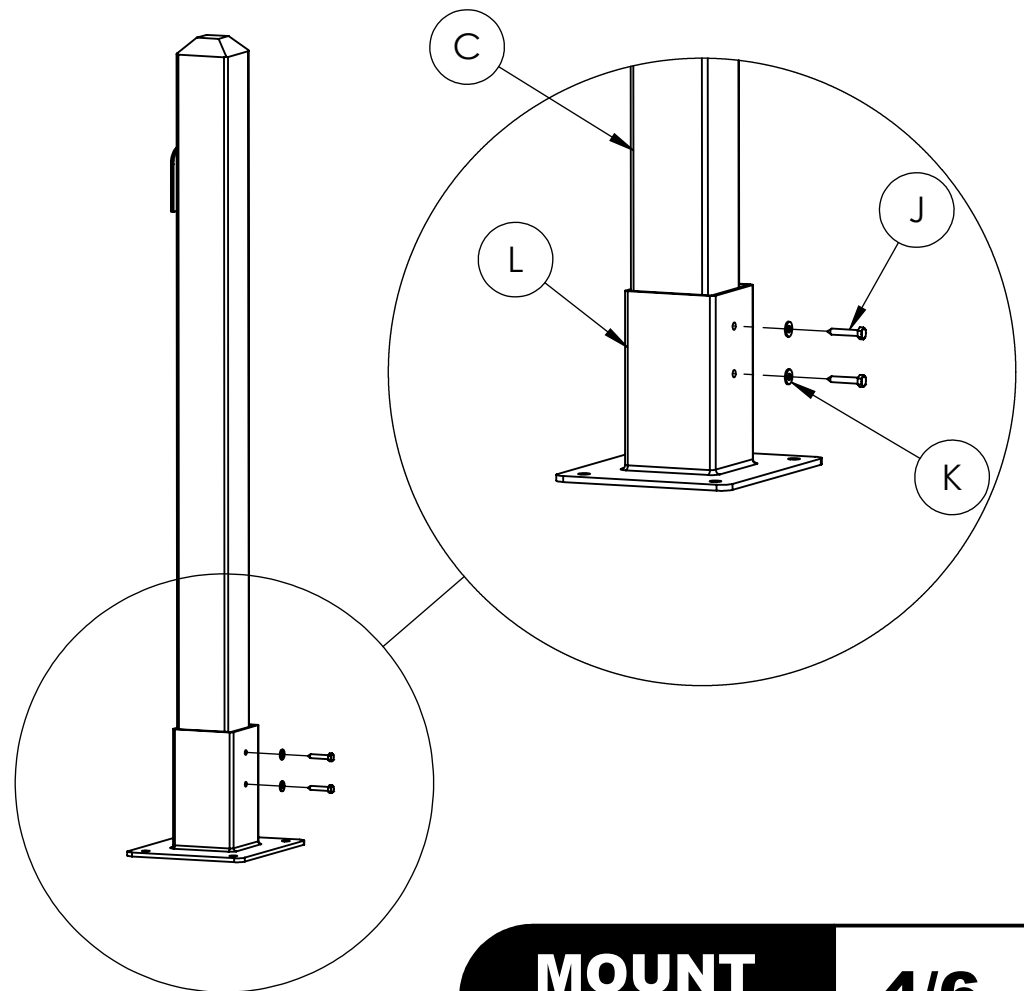
### Inground Mount

- Dig a hole 12 inches in diameter to a depth of 18 inches
- Insert the inground mount (B) post into the hole
- Level the post with the ground
- Pour concrete into the hole and allow to set



### Surface Mount

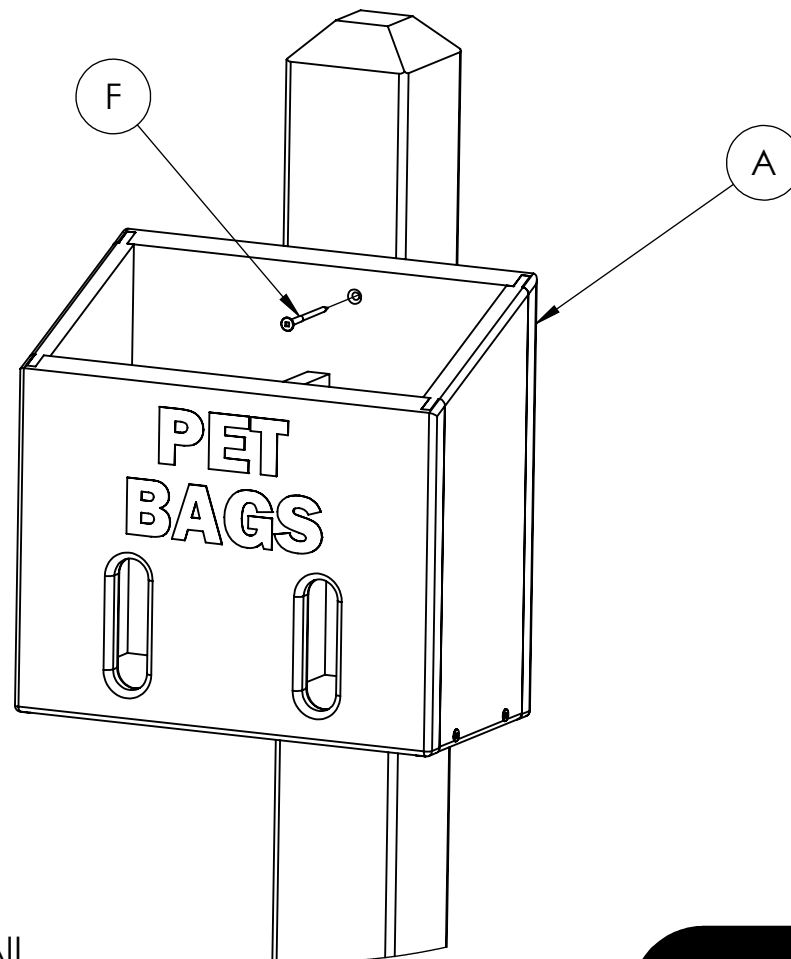
- Insert the post (C) into the surface mount base (L)
- Secure the post to the base with 2 1/4" x 1.5" lag screws (J) and washers (K) provided
- Place the post upright in desired location
- Square the post assembly to the ground
- Attach the surface mount base to the ground using appropriate hardware (not included)



## INSTRUCTIONS PW1025 - PW1030

### MOUNT THE DISPENSER

- Slide the pet bags dispenser (A) onto the post
- Install the #10 x 2.5" screw (F) to secure the dispenser to the post
- (Only 1 is needed but 2 are supplied in case of stripping)
- Remove bags from box and pull through slot



NOTE: LID REMOVED TO SHOW DETAIL

# INSTRUCTIONS

## PW1025 - PW1030

### Mount the Receptacle

- Locate the slat opposite of the shortest slat on the receptacle
- Mark the slat 1.5" below the top ring
- INGROUND- Mark the slat 1.5" above the bottom ring
- SURFACE MOUNT- Mark the slat 6" above the bottom ring
- Drill 1/4" through holes at your marks on the slat
- Place the receptacle on the ground in front of the post with the holes you just drilled against the post
- Mark both hole locations on the post with a marker
- Drill a 1/8" pilot hole at each mark 1" to 2" deep
- Install both lag screws (G) through the slat as shown per Figure 1
- Use a 7/16 wrench to tighten

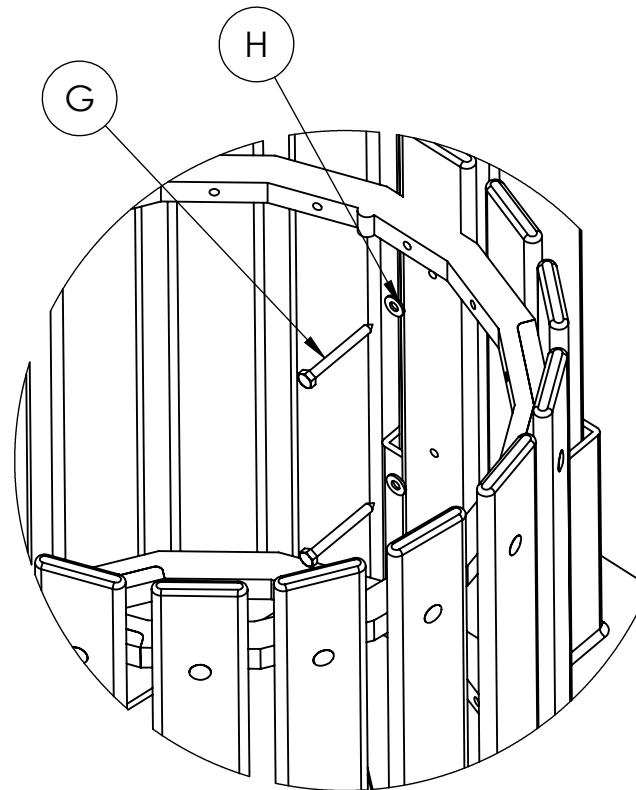
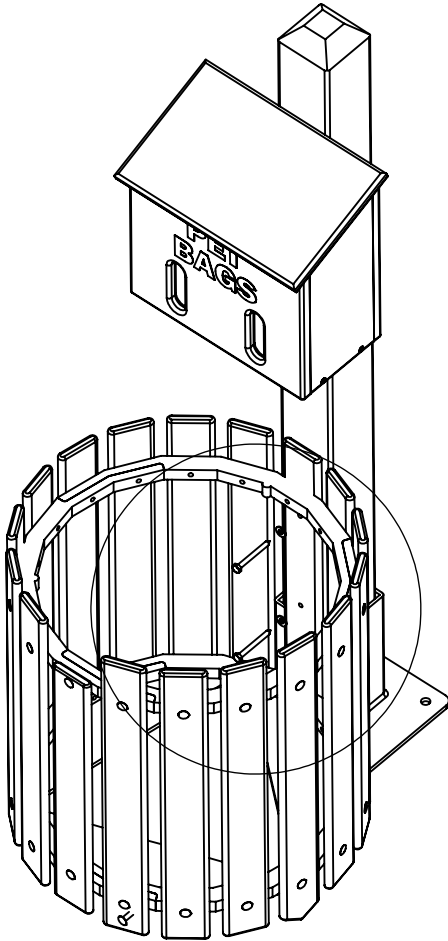
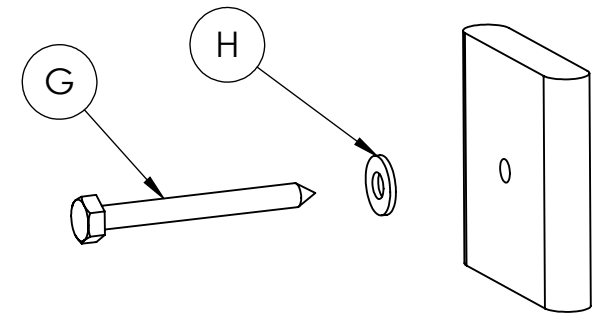


FIGURE 1



# PW1025-PW1030 10 GALLON

NOTE: ALL MATERIAL IS RECYCLED PLASTIC LUMBER UNLESS NOTED  
ALL DIMENSIONS SHOWN IN INCHES

