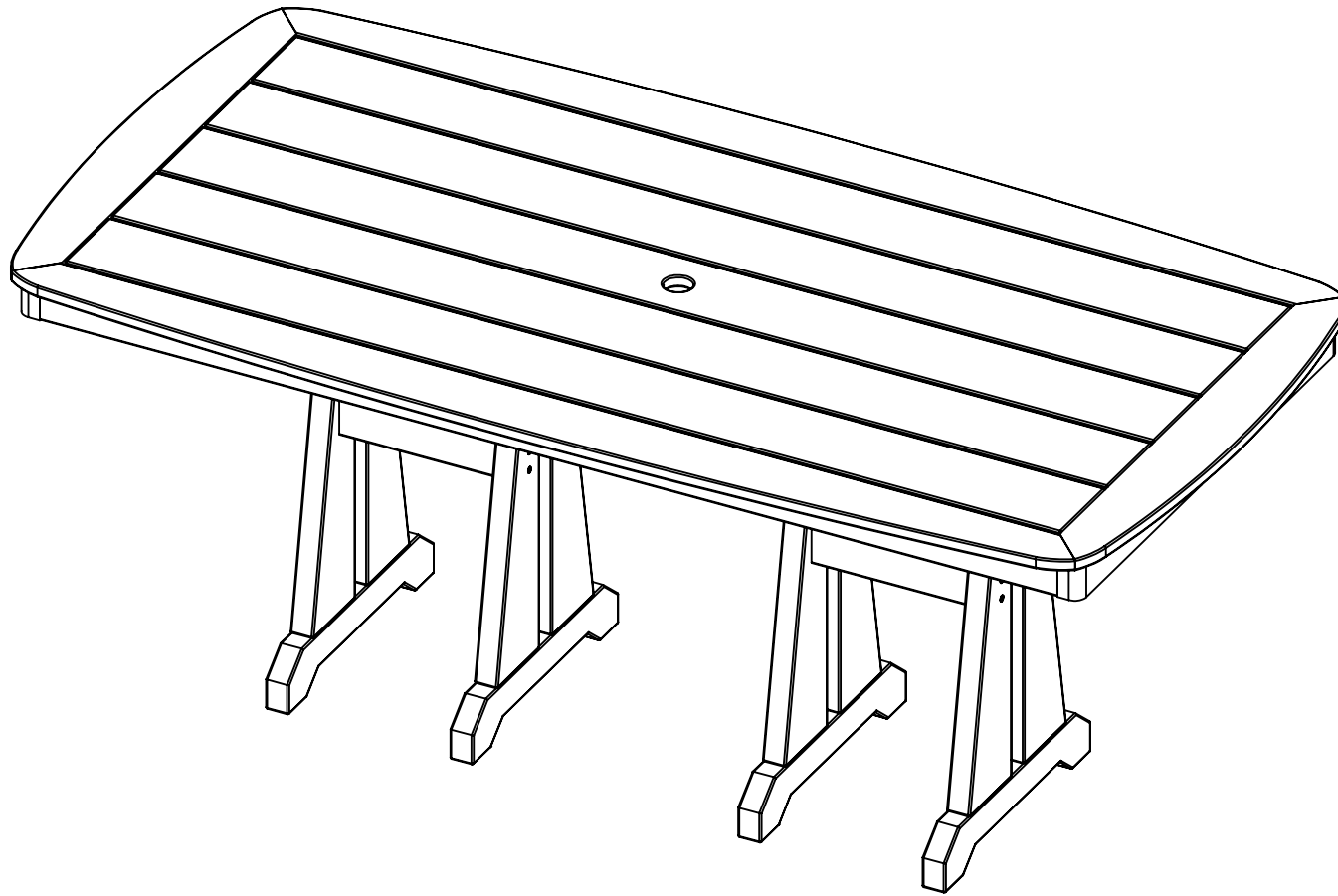
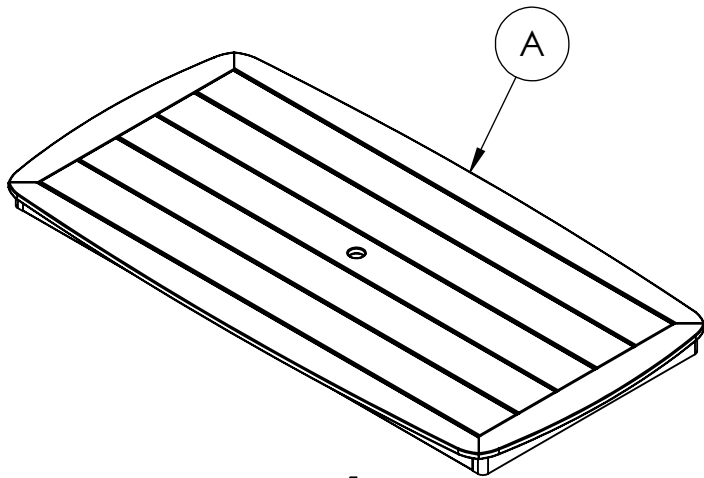


# TABLE INSTRUCTIONS

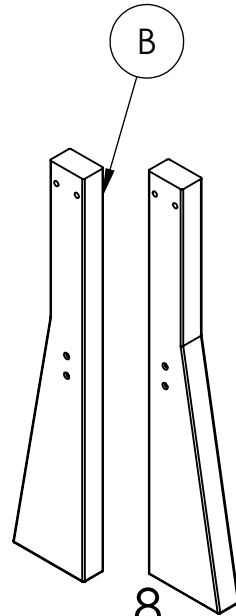
CF1155 REV# 2  
7-12-2017



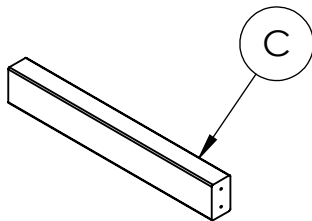
# TABLE INSTRUCTIONS



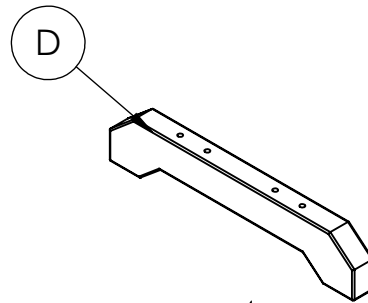
1  
Table Top Assembly



8  
Table Legs



4  
Cross Braces

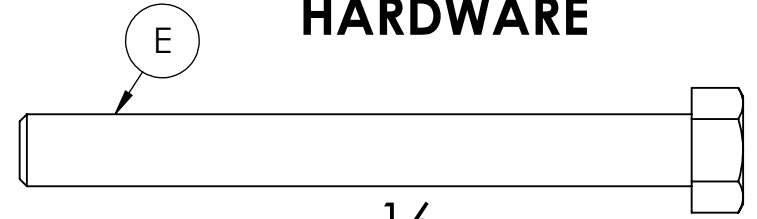


4  
Table Foot

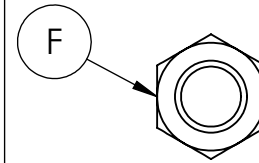
## REQUIRED TOOLS (NOT INCLUDED)

- POWER DRILL
- #2 SQUARE DRIVE
- (2) 9/16 WRENCH OR SOCKET

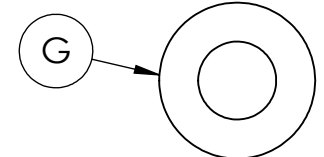
## HARDWARE



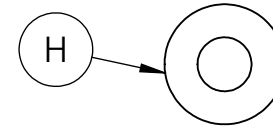
16  
3/8" x 3.5" Hex Head Bolts



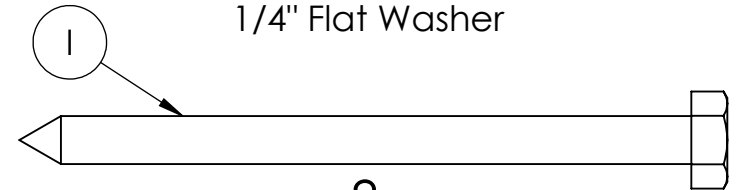
16  
3/8" Hex Nuts



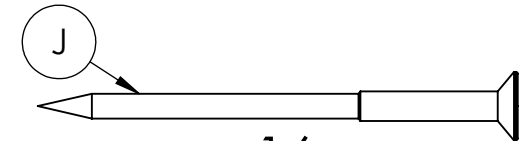
32  
3/8" Flat Washer



8  
1/4" Flat Washer



8  
1/4" Hex Lag Screw



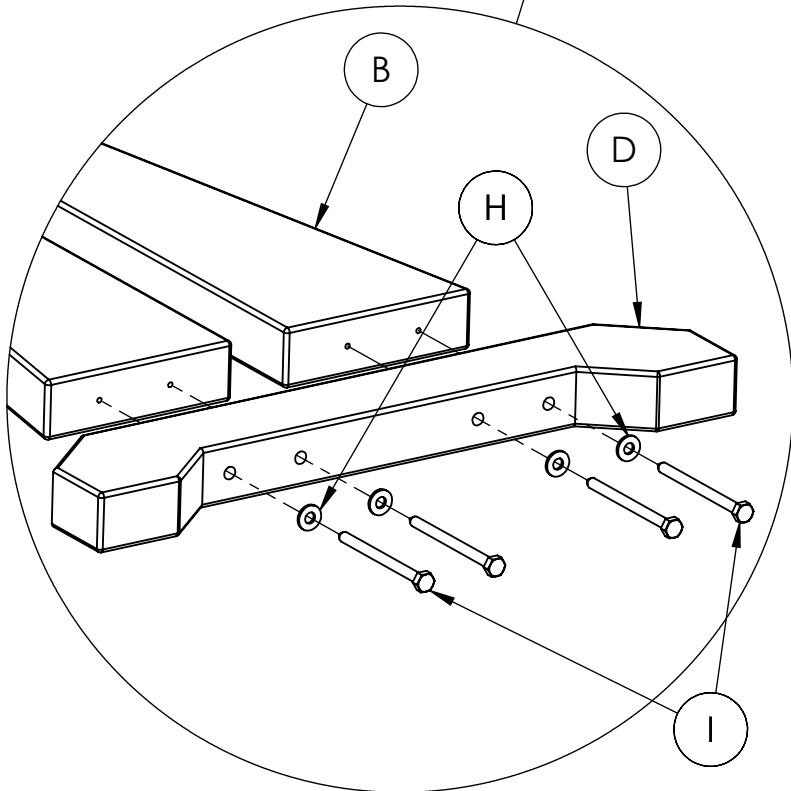
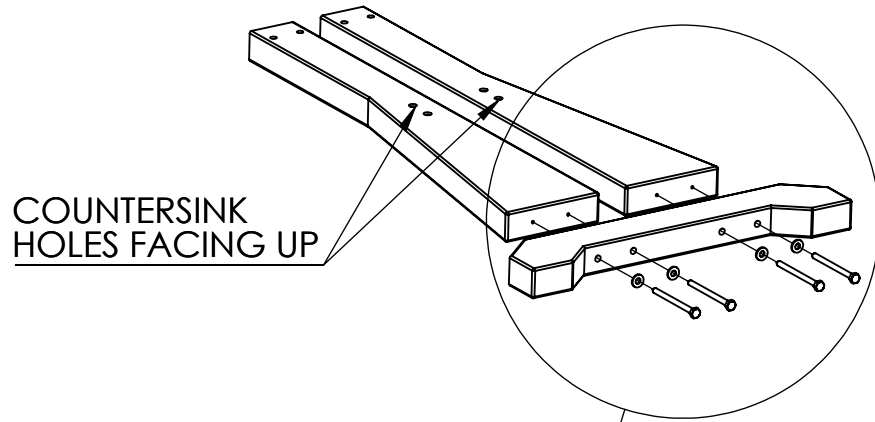
16  
#10 x 2.5 Flat Head Screw

**HARDWARE &  
TOOLS REQUIRED  
FOR ASSEMBLY**

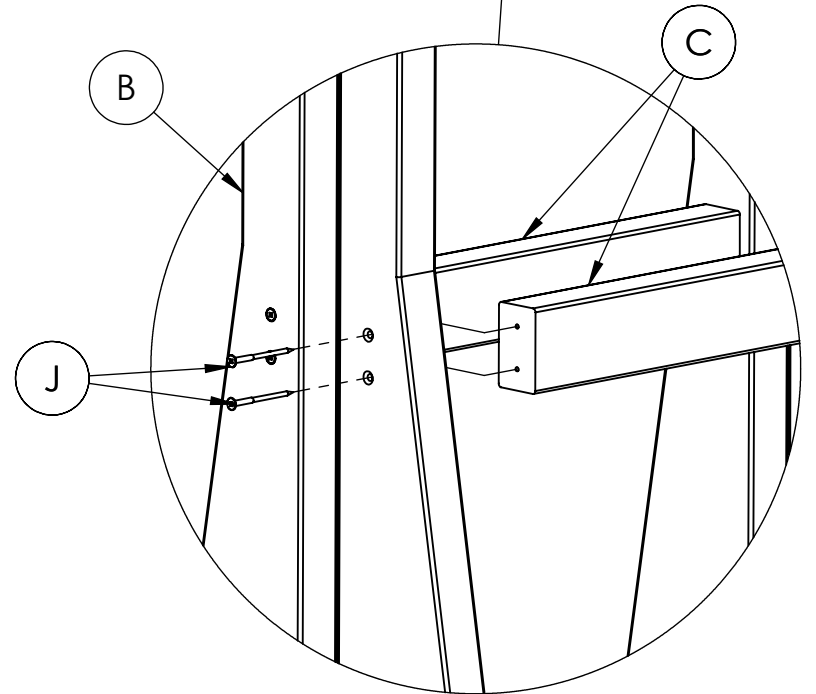
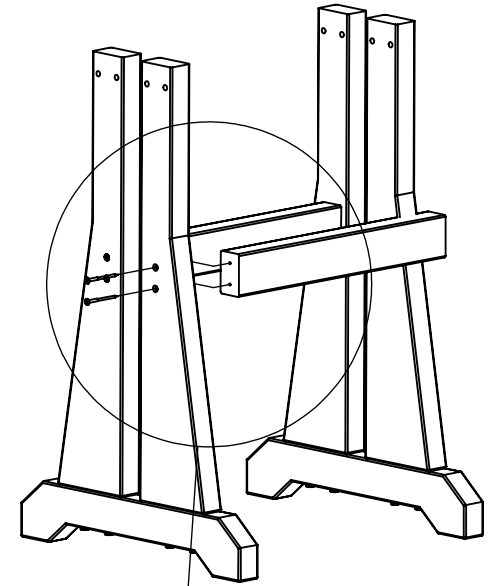
**2/5**

# TABLE INSTRUCTIONS

## STEP 1



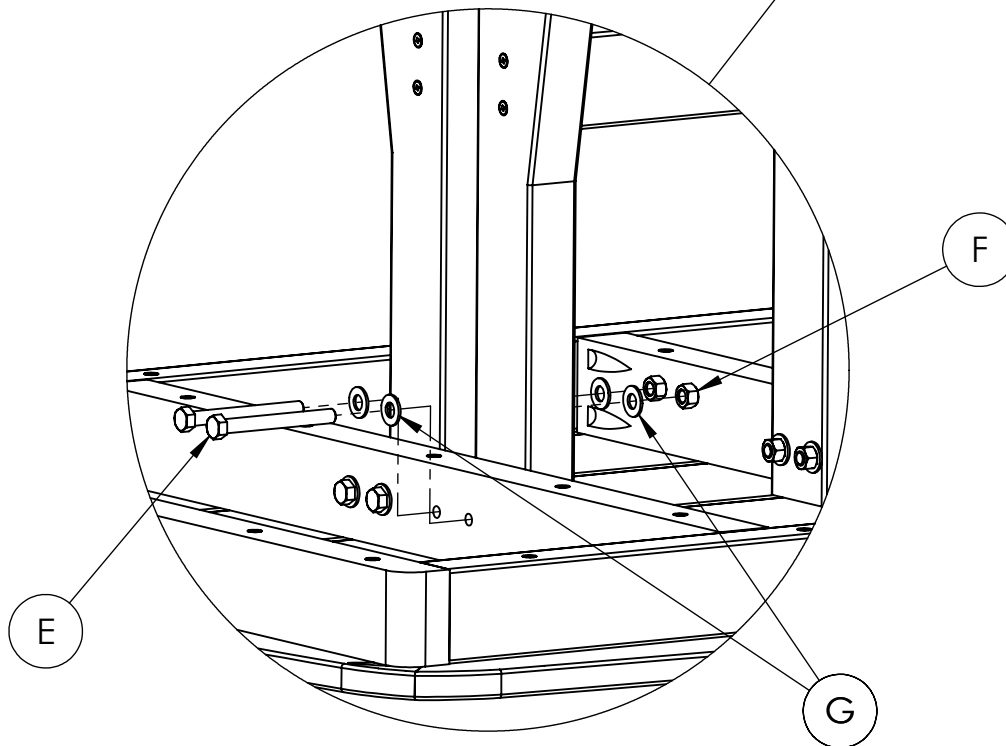
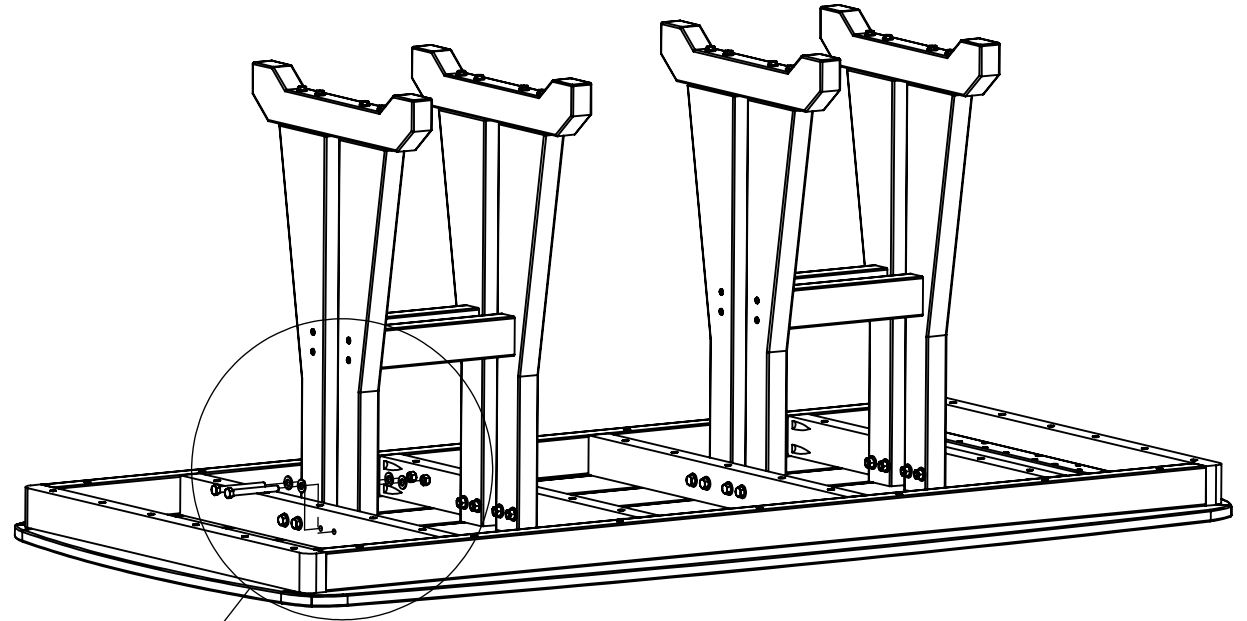
## STEP 2



# TABLE INSTRUCTIONS

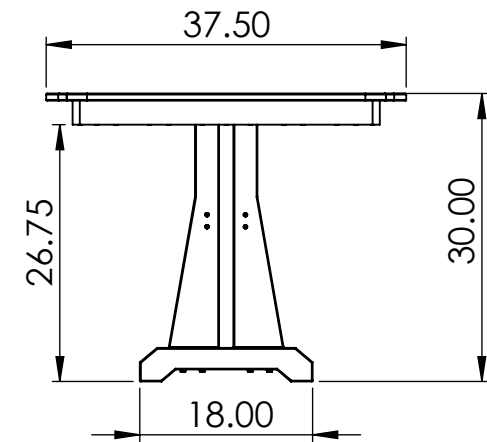
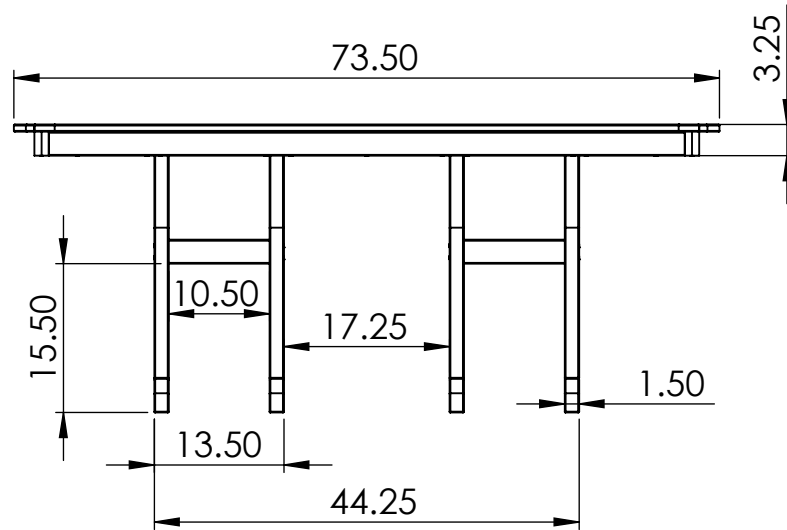
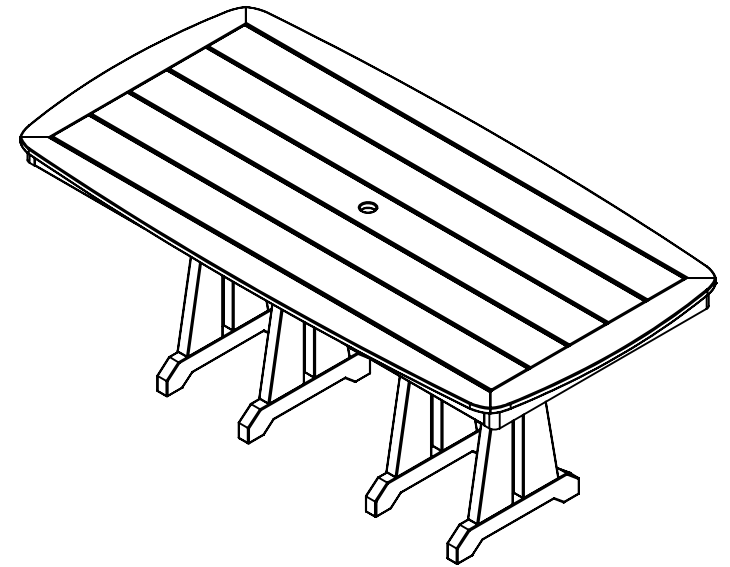
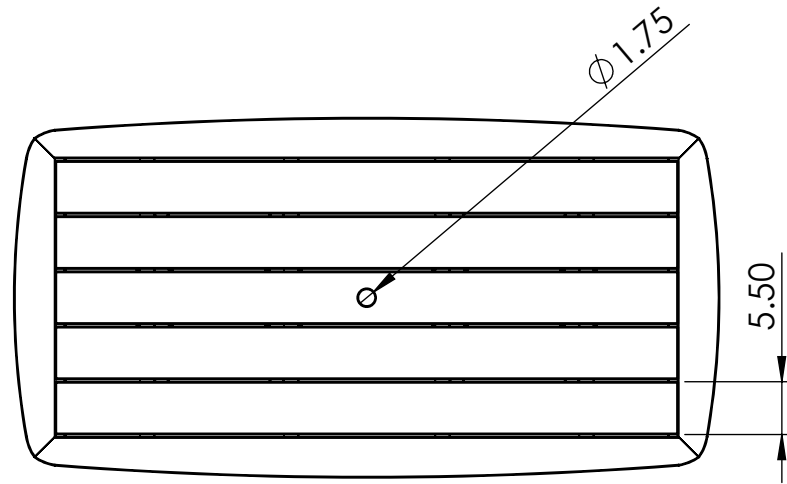
## STEP 3

- Attach leg assembly with table upside down - **leave bolts loose**.
- Flip table right side up then fully tighten all bolts.



# TABLE SPECIFICATIONS

CF1155 REV# 2  
7-12-2017



**CONSTRUCTION MATERIALS:**  
Recycled Plastic  
**HARDWARE:**  
Stainless Steel

ALL DIMENSIONS SHOWN IN INCHES